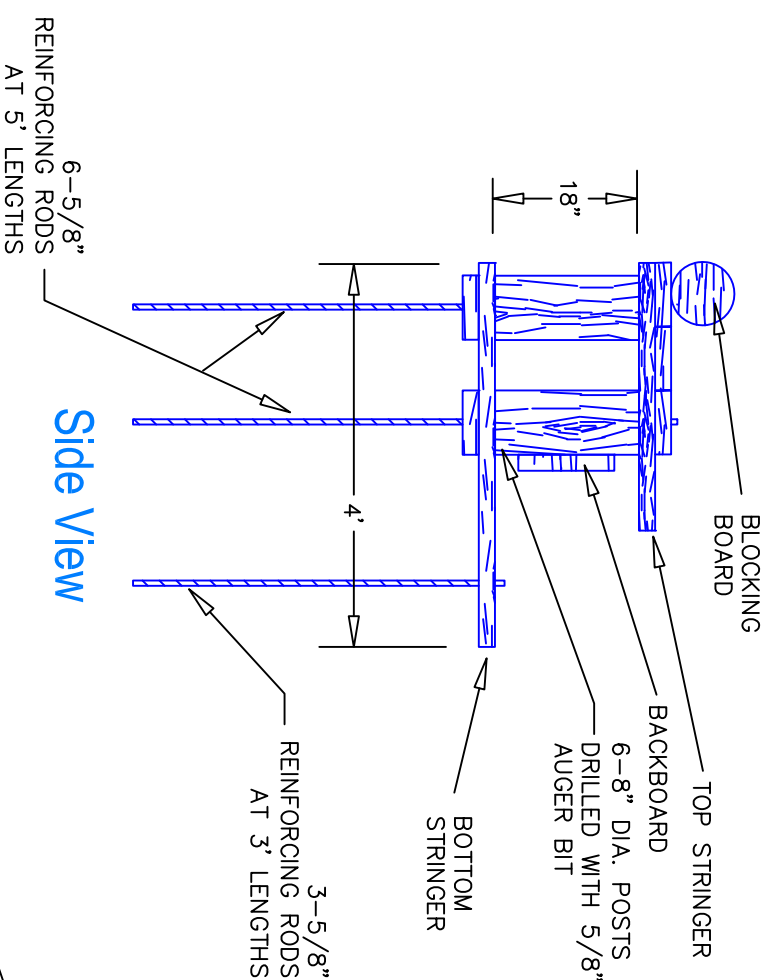
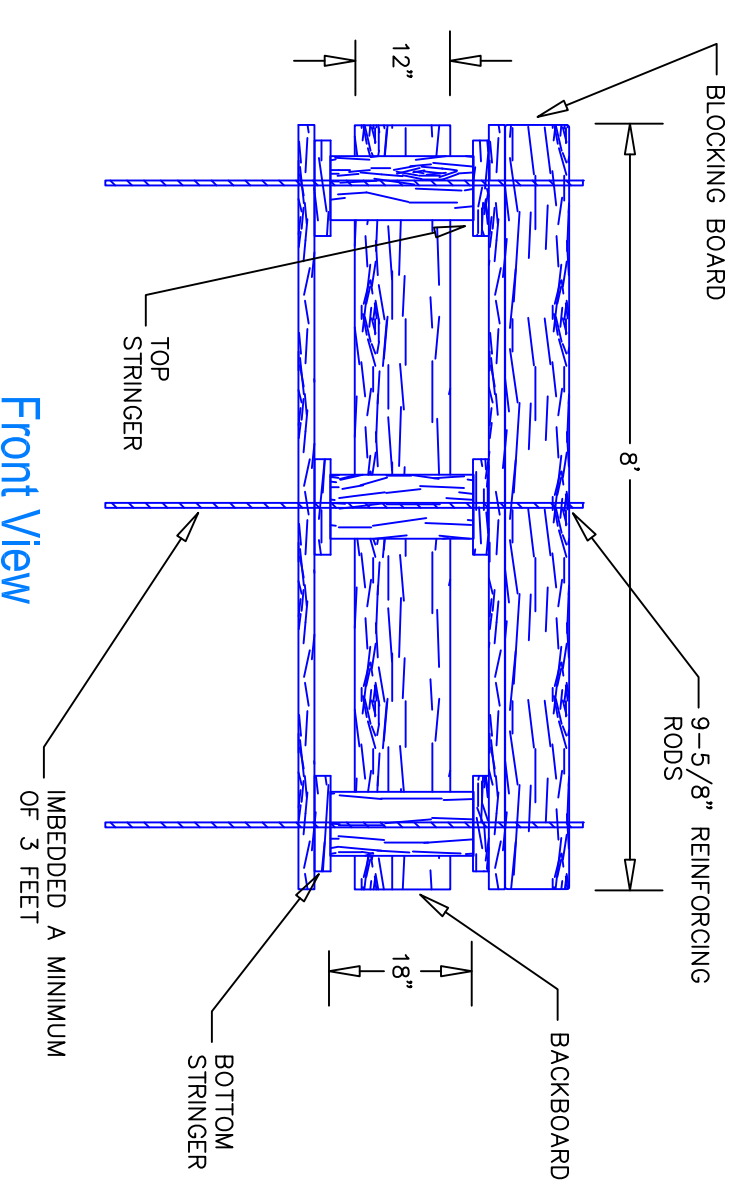
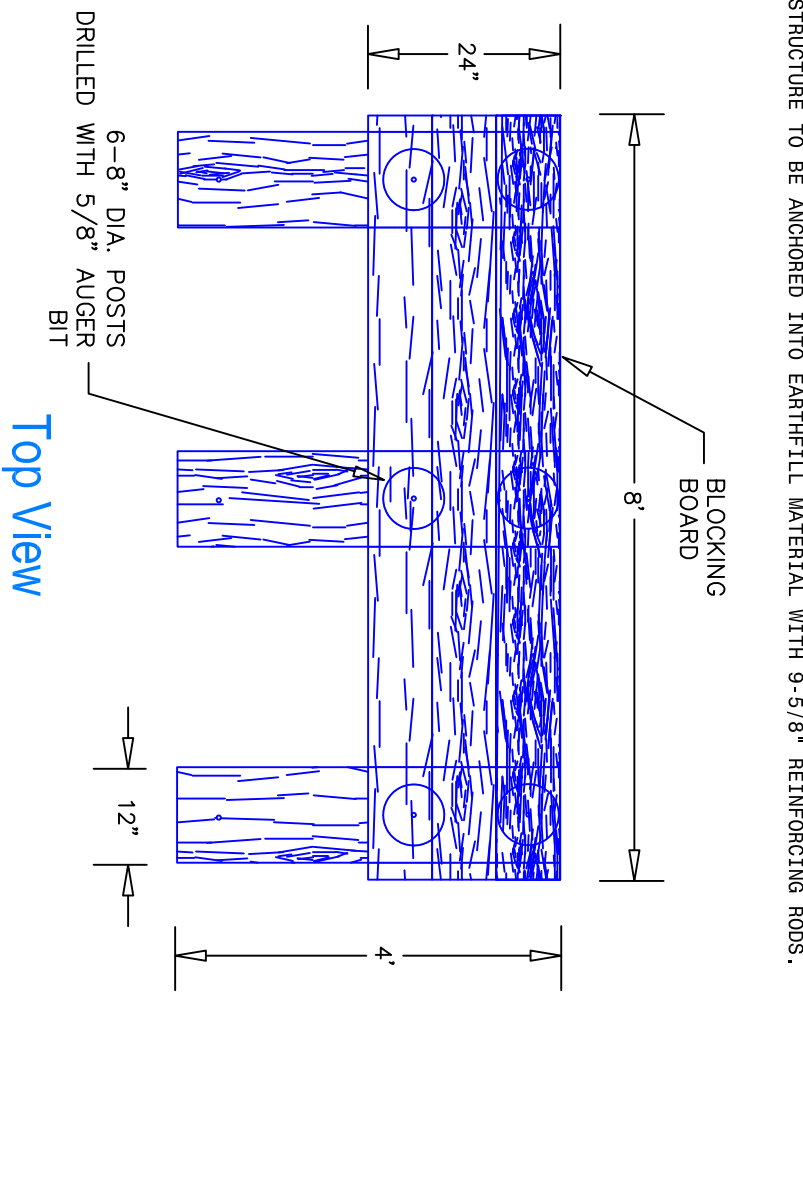


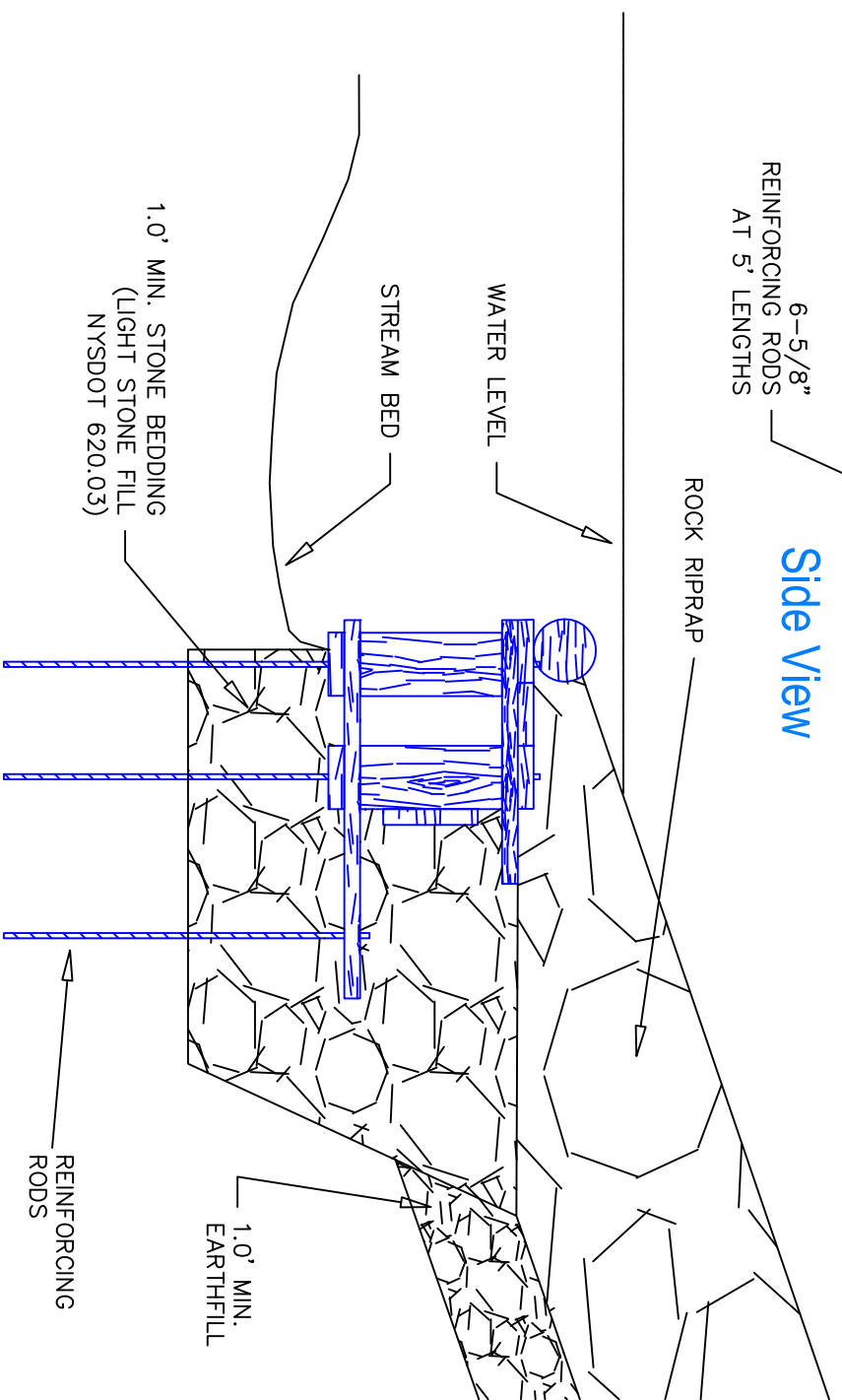
CONSTRUCTION NOTES:

1. STRUCTURE WILL BE CONSTRUCTED BY EGSWCD, LUNKERS; LITTLE UNDERWATER NEIGHBORHOOD KEEPERS ENCOMPASSING RHEOTAXIC SALMONIDS.
2. CONTRACTOR IS RESPONSIBLE FOR INSTALLATION OF STRUCTURE.
3. STRUCTURE IS BUILT USING WOODEN PLANKS 2" THICK BY 8-12" WIDE.
4. STRUCTURE IS NAILED TOGETHER WITH 20D SPIKES.
5. STRUCTURE TO BE ANCHORED INTO EARTH/FILL MATERIAL WITH 9-5/8" REINFORCING RODS.



Legend

WOODEN PLANKS (SIZE AS NOTED)



NOT TO SCALE

Designed	DAB	Date	06/04
Drawn	JJS	Date	10/11
Checked			
Approved			

LUNKERS DETAIL
JOINT BOARD 30-L STREAMBANK STABILIZATION
7687 OLEAN ROAD, HOLLAND NY
ERIE COUNTY SWCD

